



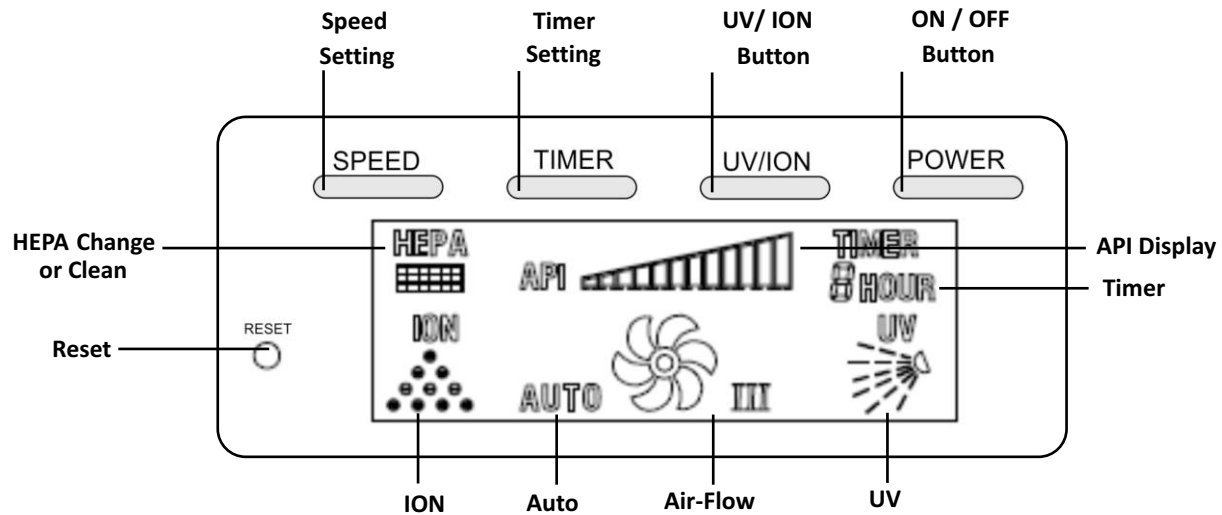
WAVE HOME SOLUTIONS

Water, Air And Energy Technologies For YOUR Family's Well Being.



WAVE Air Purifier

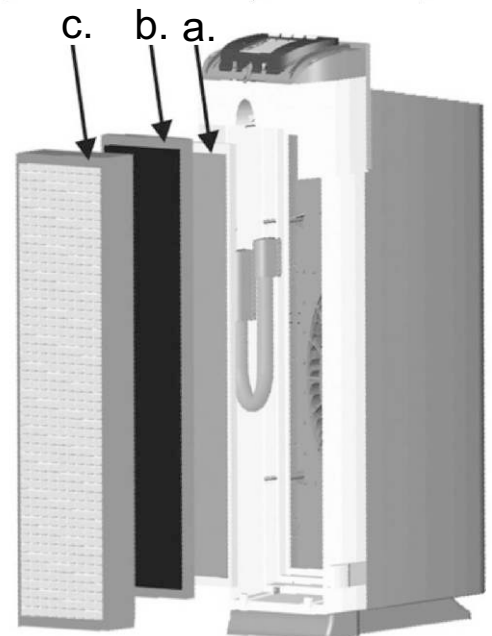
Operating Instructions



BEFORE FIRST USE please follow the instructions below:

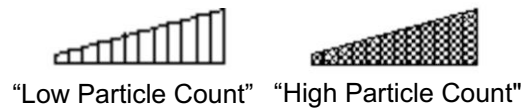
Upon removing the unit from the box:


1. Remove the unit from the plastic bag
2. Remove the cover
3. Remove the Styrofoam
4. Twist latch to allow the filters to be removed
5. Remove all 3 filters
6. Remove filters from the plastic bag
7. Replace filters in the following order
 - a. TiO_2
 - b. Carbon
 - c. HEPA
8. Once filters are placed back inside the unit turn the latch to keep the filters in place
9. Securely replace the cover
10. Unit is ready for use

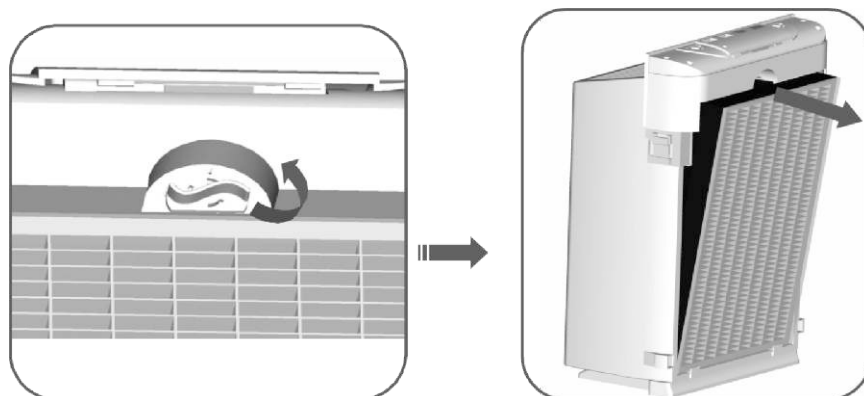


Operating Instructions

1. Press **POWER** to start the unit.
2. The default setting for the unit is Speed II. To change speed settings press **SPEED**. Each time the button is pressed, the unit will cycle through the different FAN speeds (I→II→III→Auto).
3. The unit is equipped with a **TIMER** feature. To set a desired interval of time press **TIMER**
1Hr→2Hr→4Hr→6Hr→8Hr → cancel timer. As the user cycles through the different time intervals, the different times will be shown (i.e. **TIMER 8 HOUR**)
4. The default setting is to have both UV/ION 'ON'. The UV/ION button **UV/ION** toggles this feature ON and OFF. The LCD will display **ION UV** when both UV and ION are on.
5. For **AUTO** mode (Press **TIMER** until the LCD display shows "AUTO"). In this mode the API (Air Pollution Index) will control the unit's speed. The "API" measures the air quality and adjusts system performance automatically. The API Scale is a visual representation of the air quality and will change depending on the air quality.

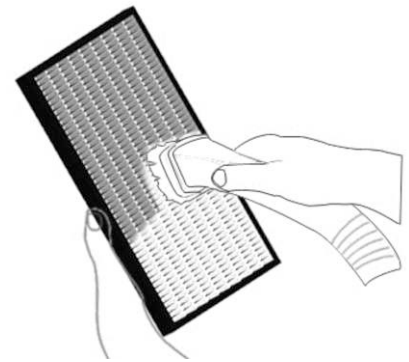


6. Maintenance (HEPA, Tio2 Catalyst, Carbon filter and UV Lamp). When the HEPA filter icon  blinks (after approximately 2 years / 17,500 hours of operation) it is time to replace the HEPA, Carbon filter and UV Lamp. Contact WAVE Home Solutions for the replacement kit. Follow the instructions that will accompany the replacement kit on how to replace the UV Lamp. Once the contents of the replacement kit have been installed use a paperclip (or similar object) to press and hold the reset button for 3 seconds. This will reset the HEPA notification icon on the LCD. The included HEPA filter can be cleaned when so desired to maintain system performance.
7. To remove the front cover (see Figure A. on page 10), grasp the bottom of the unit and pull up and away from the unit. Once detached from the unit, lift the cover upwards.
8. To remove the HEPA filter for cleaning or replacement, turn the lock as to allow for the pre-filter and HEPA to be easily removed from the unit. Pull on the tab located at the top of the filter to remove.



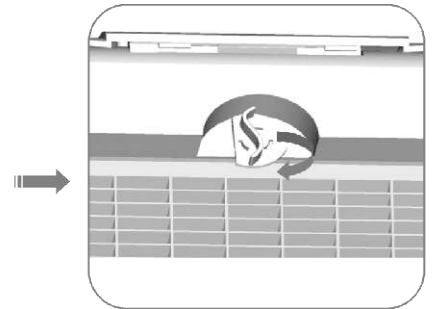
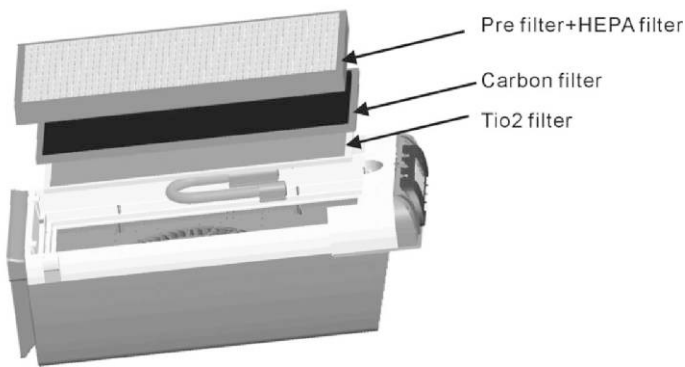
Operating Instructions

9. To Clean the HEPA filter, remove the black foam pre-filter from the HEPA filter (these are attached with Velcro). Shake off or wash the pre-filter to clean any dirt and/or particulates from the media. Use a vacuum cleaner to clean off the HEPA Filter.



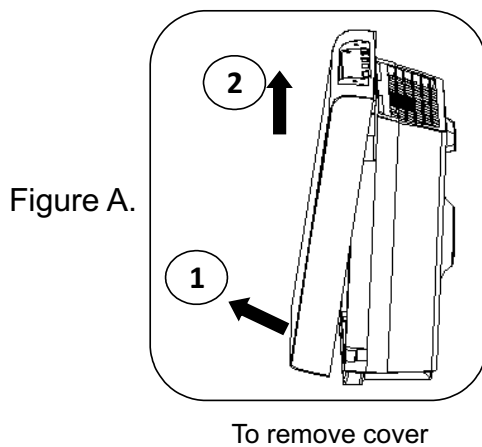
10. Filter Sequence (from the bottom up)

Ti₂ catalyst → Carbon filter → HEPA filter → Pre-filter



After replacing the HEPA filter,
Lock the filters into place by turning the lock.

11. To replace the unit's front cover (see Figure B. below), first fit the top of the unit into place and slowly press the bottom as to allow the bottom clips to catch.
12. Remote control. The unit comes with an included infrared remote control. To use the remote control, point the remote in the direction of the LCD display.



To remove cover

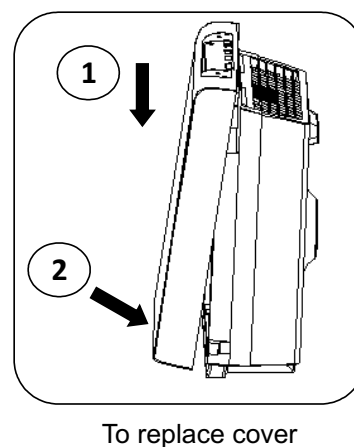


Figure B.

To replace cover

WAVE Home Solutions Warranty

Wave Home Solutions warrants the WAVE Air Purifier to be free from defects in material and workmanship subject to the conditions and limitations hereinafter described. The warranty period is 1 year from the date of purchase.

Warranty claims are to be made to WAVE Home Solutions. The customer shall contact WAVE Home Solutions at 1-800-293-9577 to obtain the address of where the defective unit is to be shipped (at customer's expense) along with a copy of the original invoice. WAVE Home Solutions will repair and return the unit to the customer at WAVE Home Solutions expense.

WAVE HOME SOLUTIONS WILL NOT BE RESPONSIBLE FOR

- Normal maintenance as outlined in the installation and servicing instructions or owner's manual.
- Damage or repairs required as a consequence of faulty installation or application by others.
- Failure to start due to voltage conditions, blown fuses, open circuit breakers or other damages due to the inadequacy or interruption of electrical service.
- Damage or repairs needed as a consequence of any misapplication, abuse, improper servicing, unauthorized alteration, or improper operations.
- Damage as a result of floods, winds, fires, lightning, accidents, corrosive atmosphere, or other conditions beyond the control of WAVE Home Solutions.
- Parts not supplied or designated by WAVE Home Solutions.
- ANY SPECIAL INDIRECT OR CONSEQUENTIAL PROPERTY OR COMMERCIAL DAMAGE OF ANY NATURE WHATSOEVER.
- Some states or provinces do not allow the exclusion of incidental or consequential damages, so the above limitation may not apply to you.